

Current part is item (3) on diagram. Available at www.oshkoshequipment.com

(1) SMR Code	(2) Federal Stock Number	(3) Description	(4) Unit of Meas.	(5) Qty Inc In	(6) 15-day Organizational Maintenance alw	(7) Illustration No.	(a) Figure No.	(b) Item No.
Reference number & mfg. code			Usable on code		(a) (b) (c) (d)	(a) (b)	(a) (b)	
					1-5 6-20 21-50 51-100	Figure	Item	
1601-SPRINGS-CONTINUED								
PAOZZ	5330-740-9600	GASKET: SEAT BEARING CAP 7409600 (19207)	A	EA	2	* * * *	148	15
PAOZZ	2510-740-9391	COVER, ACCESS: 7409391 (19207)	A	EA	2	* * * *	148	16
PAOZZ	5310-407-9566	WASHER: ACCESS COVER TO SEAT MS35338-45 (96906)	A	EA	12	* * * *	148	17
PAOZZ	5305-225-8494	SCREW,MACHINE: ACCESS COVER TO SEAT MS90725-29 (96906)		EA	12	* * * *	148	18
1604-SHOCK ABSORBER EQUIPMENT								
PAOZZ	5310-982-5012	NUT,SELF-LOCKING,HEXAGON: MS21045-12 (96906)		EA	2	* * * *	149	1
PAOZZ	5310-809-8536	WASHER,FLAT: MS27183-24 (96906)		EA	2	* * * *	149	2
PAOZZ	5340-740-9618	BUSHING, RUBBER: 7409618 (19207)		EA	4	* * * *	149	3
PAOZZ	2540-740-9617	SHOCK ABSORBER, DIRECT ACTION: FRONT 7409617 (19207)		EA	2	* * * *	149	4
PAOZZ	5315-740-9619	PIN,SHOULDER,HEADLESS: 98308R1 (31007)		EA	2	* * * *	149	5
GROUP 18-BODY,CAB,HOOD AND HULL								
1801-BODY,CAB,HOOD AND HULL								
ASSEMBLIES								
PAOZZ	2510-737-3294	DOOR: RIGHT 7373294 (19207)	A	EA	1	* * * *	150	1
PAOZZ	2510-737-3293	DOOR: LEFT 7373293 (19207)	A	EA	1	* * * *	150	1
PAOZZ	5305-855-0961	SCREW,MACHINE: ACCESS COVER MS24629-35 (96906)	A	EA	10	* * * *	150	2
PAOZZ	2510-693-0604	COVER,ACCESS: 7373299 (19207)	A	EA	2	* * * *	150	3
PAOZZ	5305-696-5294	SCREW,ASSEMBLED WASHER: 455177 (21450)	A	EA	2	* * * *	150	4
PAOZZ	2540-741-0714	HANDLE,WINDOW REGULATOR: 78080 (17476)	A	EA	2	* * * *	150	5
PAOZZ	2540-621-2565	SPACER,HANDLE: 7397852 (19207)	A	EA	2	* * * *	150	6
PAOZZ	2540-562-0422	FASTENER: DOOR GLASS REGULATOR 7529309 (19207)	A	EA	4	* * * *	150	7

TA 009292

Current part is item (3) on diagram. Available at www.oshkoshequip.com

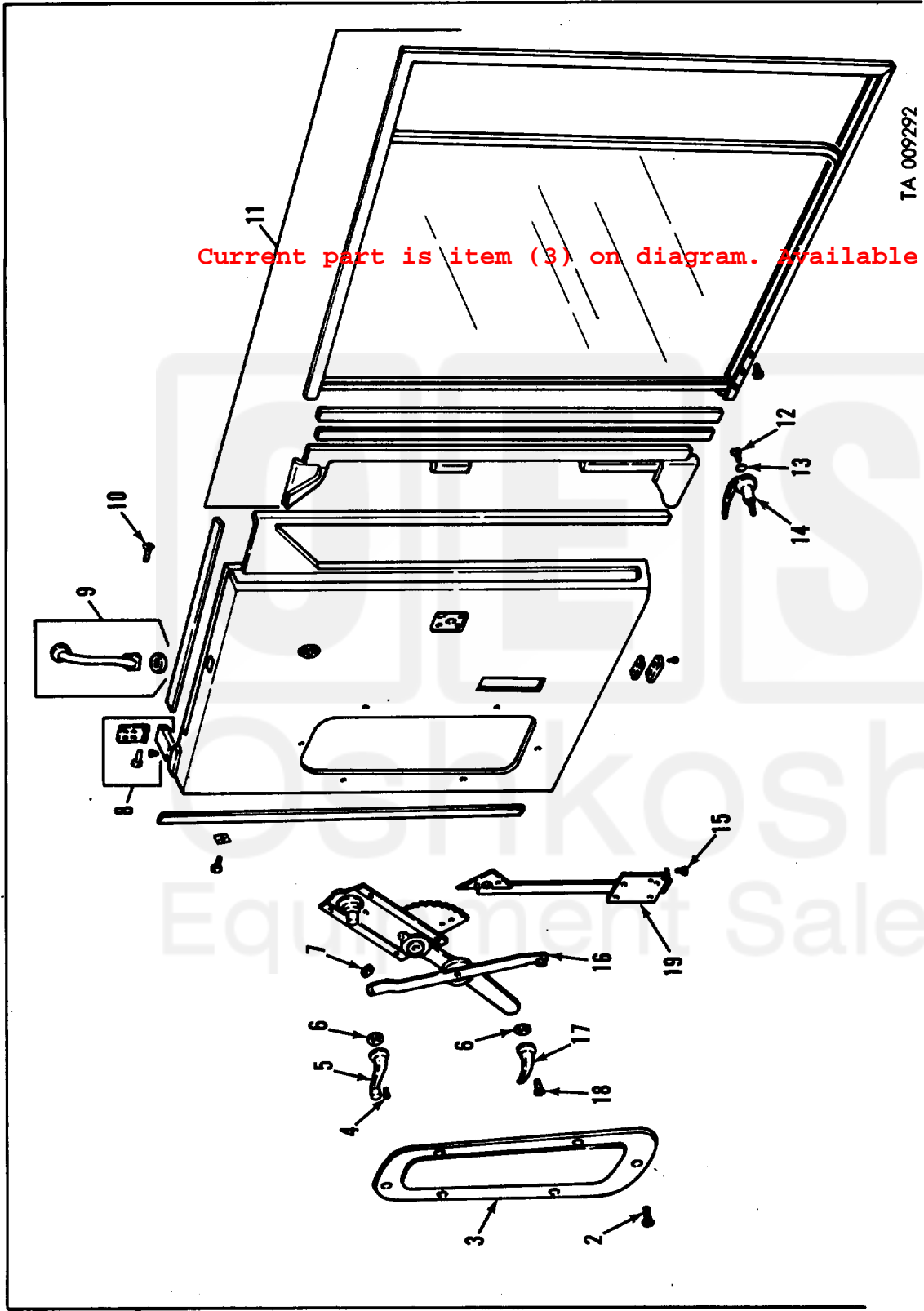


Figure 150. Cab door and related parts.

Current part is item (3) on diagram. Available at www.oshkoshequip.com